



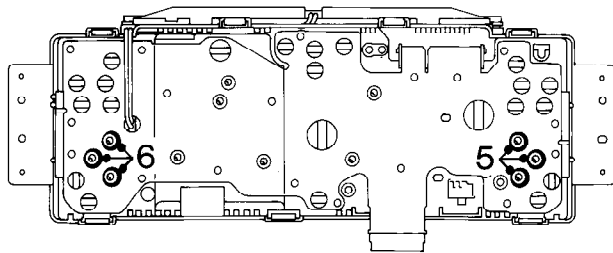
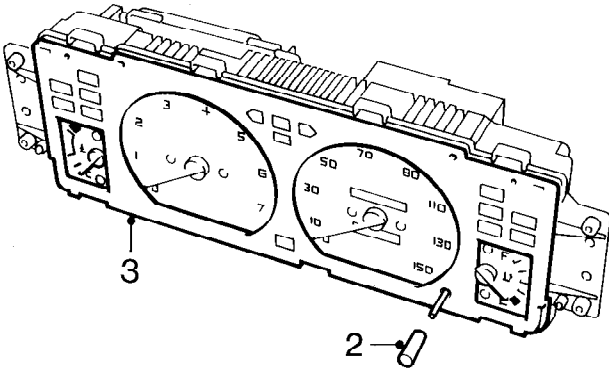
## COOLANT TEMPERATURE AND FUEL GAUGES

Service repair no - 88.25.14 - Coolant temperature gauge

Service repair no - 88.25.26 - Fuel gauge

### Remove

1. Remove instrument cowl. *See Instrument cowl and illumination board*



RR4147

2. Remove speedometer trip reset button sleeve.
3. Remove instrument face plate.

### Coolant temperature gauge

4. Remove circuit board, *See Circuit board*
5. Remove 3 screws securing coolant temperature gauge to binnacle, remove gauge.

### Fuel gauge

6. Remove 3 screws securing fuel gauge to binnacle, remove gauge.

### Refit

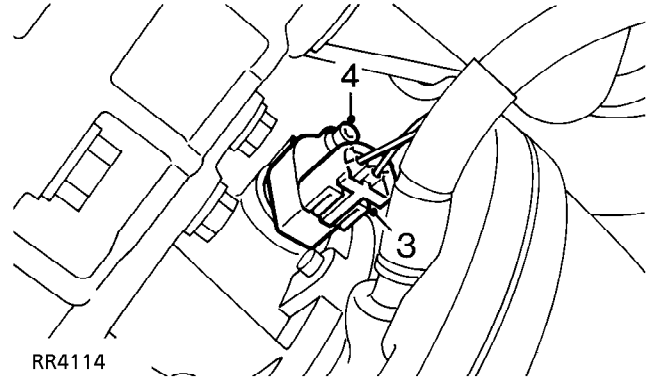
7. Reverse removal procedure.

## SPEEDOMETER TRANSDUCER

Service repair no - 88.30.14

### Remove

1. Position vehicle on ramp and chock wheels.
2. Raise ramp.



RR4114

3. Disconnect multiplug from transducer.
4. Remove bolt securing transducer, remove transducer.

### Refit

5. Reverse removal procedure.