

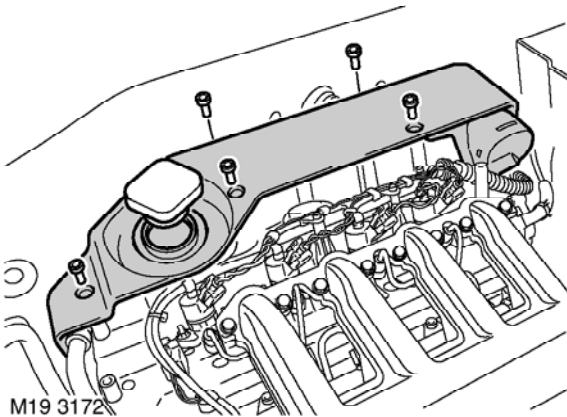


Element - air cleaner

🔑 19.10.10

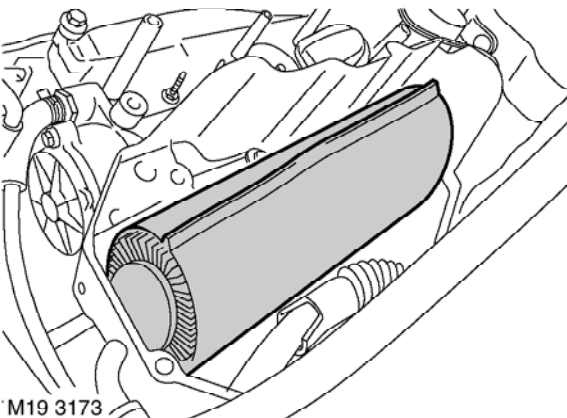
Remove

1. Disconnect battery earth lead.
2. Remove intake ducting assembly.
I **FUEL DELIVERY SYSTEM - DIESEL, REPAIRS, Ducting - intake assembly.**



M19 3172

3. Remove engine oil filler cap. Cover aperture.
4. Remove 5 Allen screws and remove air cleaner cover.



M19 3173

5. Remove air cleaner element.

Refit

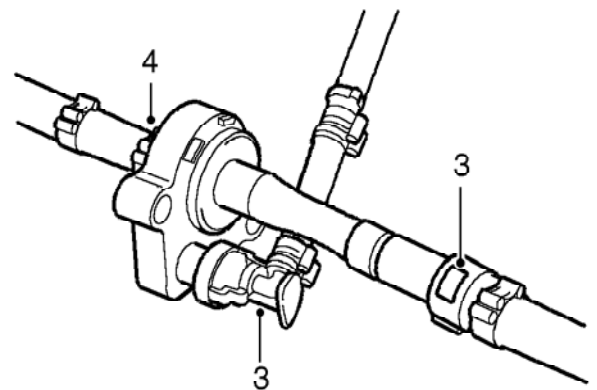
1. Clean inside of air cleaner.
2. Fit air cleaner element and engage spigot.
3. Fit air cleaner cover and tighten Allen screws to 8 Nm (6 lbf.ft).
4. Fit engine oil filler cap.
5. Fit intake duct assembly.
I **FUEL DELIVERY SYSTEM - DIESEL, REPAIRS, Ducting - intake assembly.**
6. Connect battery earth lead.

Switch - fuel temperature

🔑 19.22.04

Remove

1. Disconnect battery earth lead.
2. Position absorbent cloth to collect fuel spillage.
WARNING: The spilling of fuel is unavoidable during this operation. Ensure that all necessary precautions are taken to prevent fire and explosion.



M19 3259

3. Disconnect quick release and fuel hose connectors from temperature switch.
CAUTION: Always fit plugs to open connections to prevent contamination.
4. Release retaining clip and remove hose from fuel temperature switch.
5. Remove fuel temperature switch.
NOTE: Do not carry out further dismantling if component is removed for access only.
6. Release retaining clip and remove hose from fuel temperature switch.

Refit

1. Connect hose to fuel temperature switch and secure with retaining clip.
2. Position fuel temperature switch.
3. Connect hose to fuel temperature switch and secure with retaining clip.
4. Connect quick release and fuel hose connectors to fuel temperature switch.
5. Connect battery earth lead.